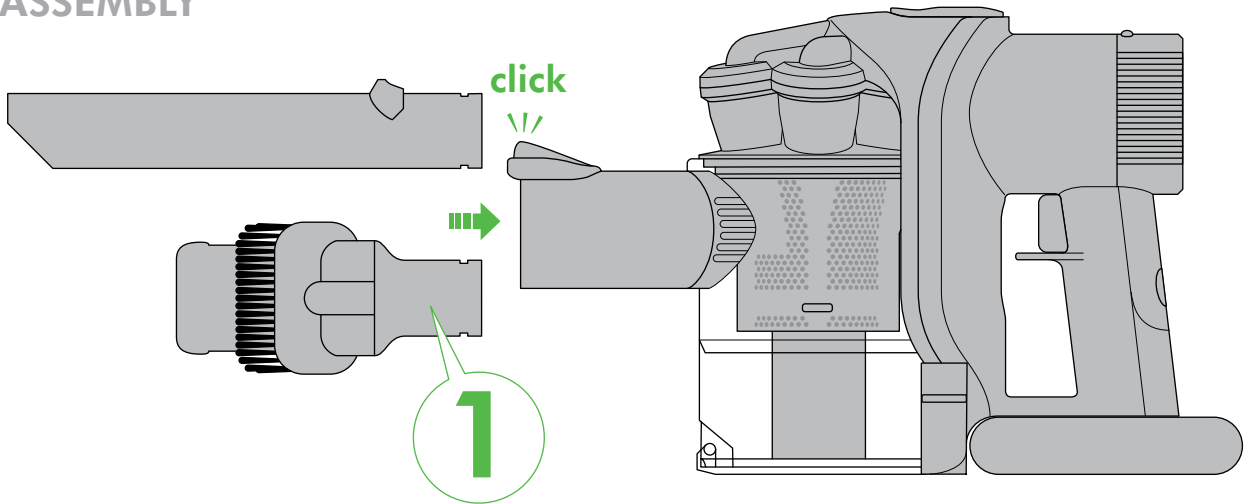



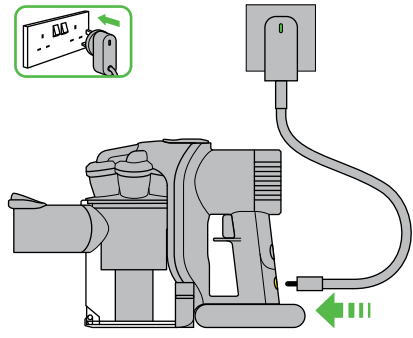
ASSEMBLY



2

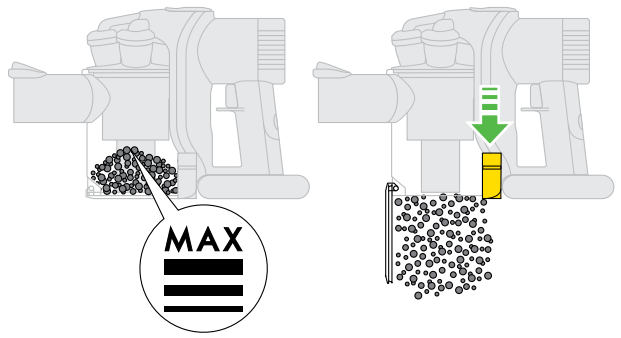



**WASH FILTER**  
Wash filter with cold water at least every month.



FULLY CHARGED

**REGISTER YOUR FREE 2 YEAR GUARANTEE TODAY**



After registering for your free 2 year guarantee, your Dyson handheld vacuum will be covered for parts and labour for 2 years from the date of purchase, subject to the terms of the guarantee.

If you have any query about your Dyson handheld vacuum, call the Dyson Customer Care Helpline with your serial number and details of where/when you bought the Dyson handheld vacuum. Your serial number can be found on your rating plate which is behind the filter.

Most queries can be solved over the phone by one of our trained Dyson Customer Care Helpline staff.

Alternatively visit [www.dyson.co.uk/support](http://www.dyson.co.uk/support) for online help, general tips and useful information about Dyson.

Note your serial number for future reference

### 3 EASY WAYS TO REGISTER FOR YOUR FREE 2 YEAR GUARANTEE

#### REGISTER ONLINE

Visit our website to register your full parts and labour guarantee online.

[www.dyson.com/register](http://www.dyson.com/register)



#### REGISTER BY PHONE

Call our dedicated Helpline  
Open 7am–10pm.  
7 days a week.

**UK 0800 298 0298**  
**ROI 01 475 7109**



#### REGISTER BY MAIL

Complete and return the form to Dyson in the envelope supplied.



# IMPORTANT SAFETY INSTRUCTIONS

**BEFORE CHARGING THE BATTERY OR USING THIS APPLIANCE READ ALL INSTRUCTIONS AND CAUTIONARY MARKINGS IN THIS MANUAL, ON THE CHARGER, ON THE BATTERY AND ON THE DYSON HANDHELD VACUUM CLEANER**

When using an electrical appliance, basic precautions should always be followed, including the following:

## **WARNING**

**TO REDUCE THE RISK OF FIRE, ELECTRIC SHOCK, OR INJURY:**

1. This Dyson handheld vacuum cleaner and charger are not intended for use by young children or infirm persons with reduced physical, sensory or reasoning capabilities, or lack of experience and knowledge, unless they have been given supervision or instruction by a responsible person concerning use of the Dyson handheld vacuum cleaner or charger to ensure that they can charge and use the Dyson handheld vacuum cleaner safely.
2. Do not allow to be used as a toy. Close attention is necessary when used by or near children. Children should be supervised to ensure that they do not play with the Dyson handheld vacuum cleaner or charger.
3. Do not install, charge or use the Dyson handheld vacuum cleaner outdoors, in a bathroom or within 3 metres (10.1 feet) of a pool. Do not use the Dyson handheld vacuum cleaner or charger on wet surfaces and do not expose to moisture, rain or snow. Do not use to pick up water.
4. Do not use or charge with damaged cable. If the Dyson handheld vacuum cleaner or charger is not working as it should, has received a sharp blow, has been dropped, damaged, left outdoors, or dropped into water, do not use and contact the Dyson Customer Care Helpline.
5. Do not unplug the charger by pulling on the cable. To unplug, grasp the charger, not the cable.
6. Unplug the charger from the socket when not in use for extended periods. Make sure the charger cable is located so that it will not be stepped on, tripped over, or otherwise subjected to damage or stress.
7. Do not stretch the charger cable or place the cable under strain. Keep cable away from heated surfaces.
8. Do not handle the charger, including the charger terminals or Dyson handheld vacuum cleaner with wet hands.
9. Do not put any object into openings. Do not use with any opening blocked; keep free of dust, lint, hair, and anything that may reduce airflow.
10. Keep hair, loose clothing, fingers, and all parts of body away from openings and moving parts, such as the brush bar.
11. Use extra care when cleaning on stairs.
12. Do not use to pick up flammable or combustible liquids, such as petrol, or use in areas where they may be present.
13. Do not pick up anything that is burning or smoking, such as cigarettes, matches, or hot ashes.
14. Do not use without the clear bin and filter in place.
15. Use only as described in this Dyson Operating Manual. Use only Dyson recommended accessories and replacement parts. Do not carry out any maintenance other than that shown in this Dyson Operating Manual, or advised by the Dyson Customer Care Helpline.
16. Contact the Dyson Customer Care Helpline when service or repair is required. Do not disassemble the Dyson handheld vacuum cleaner as incorrect reassembly may result in an electric shock or fire.
17. Use only Dyson chargers for charging this Dyson handheld vacuum cleaner. Use only Dyson batteries: other types of batteries may burst causing injury to persons and damage.
18. Unplug the charger from socket before cleaning or maintenance.
19. The use of an extension cable is not recommended.
20. Do not incinerate this Dyson handheld vacuum cleaner even if it is severely damaged. The battery may explode in a fire.
21. Do not press the battery release button during normal operation.

## SAVE THESE INSTRUCTIONS

THIS DYSON HANDHELD VACUUM CLEANER IS INTENDED FOR HOUSEHOLD USE ONLY.



Do not use near naked flame.



Do not store near heat source.

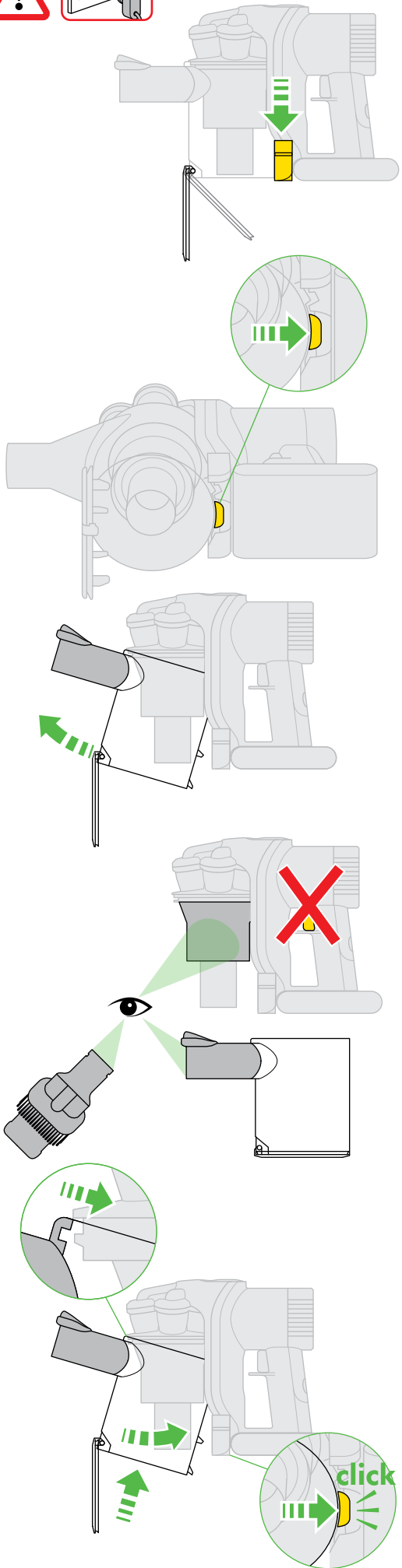
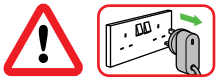


Do not pick up water or liquids.

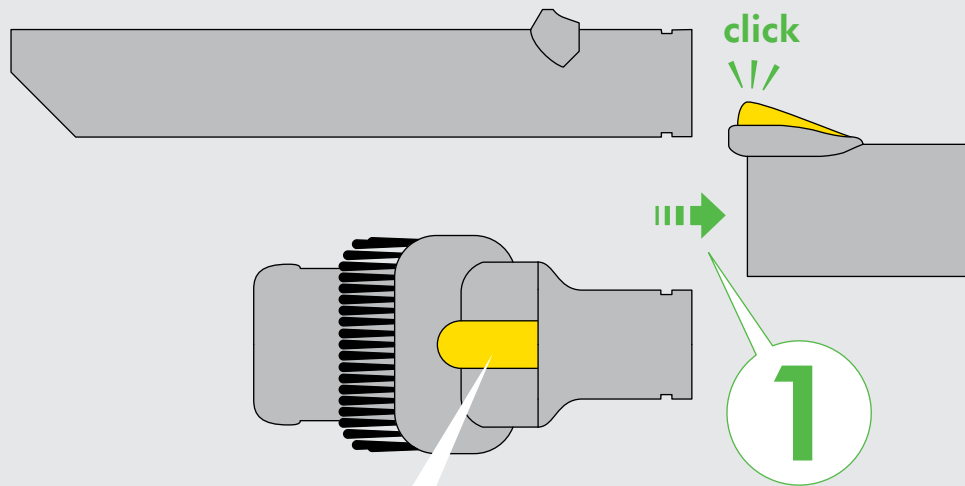
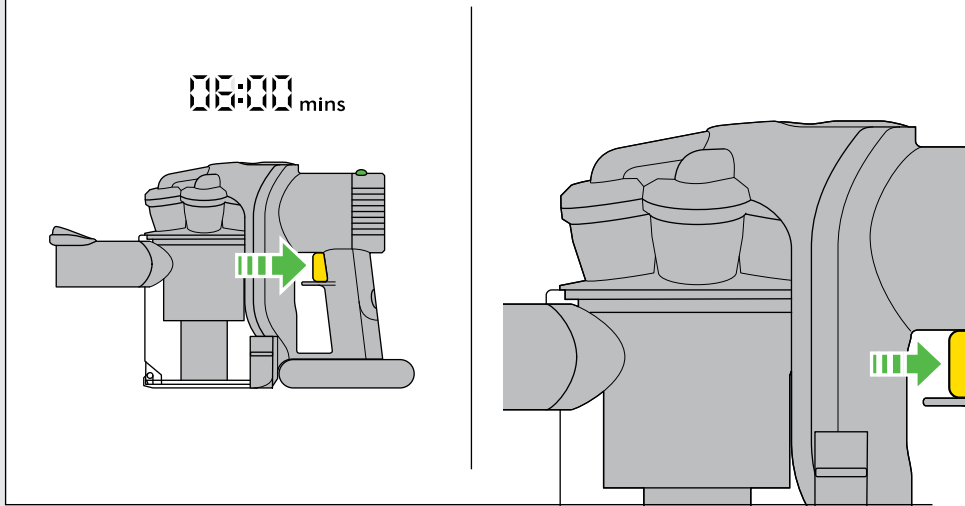


Do not pick up burning objects.

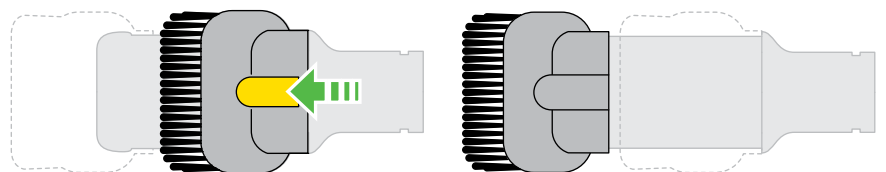
## Blockages



## Power

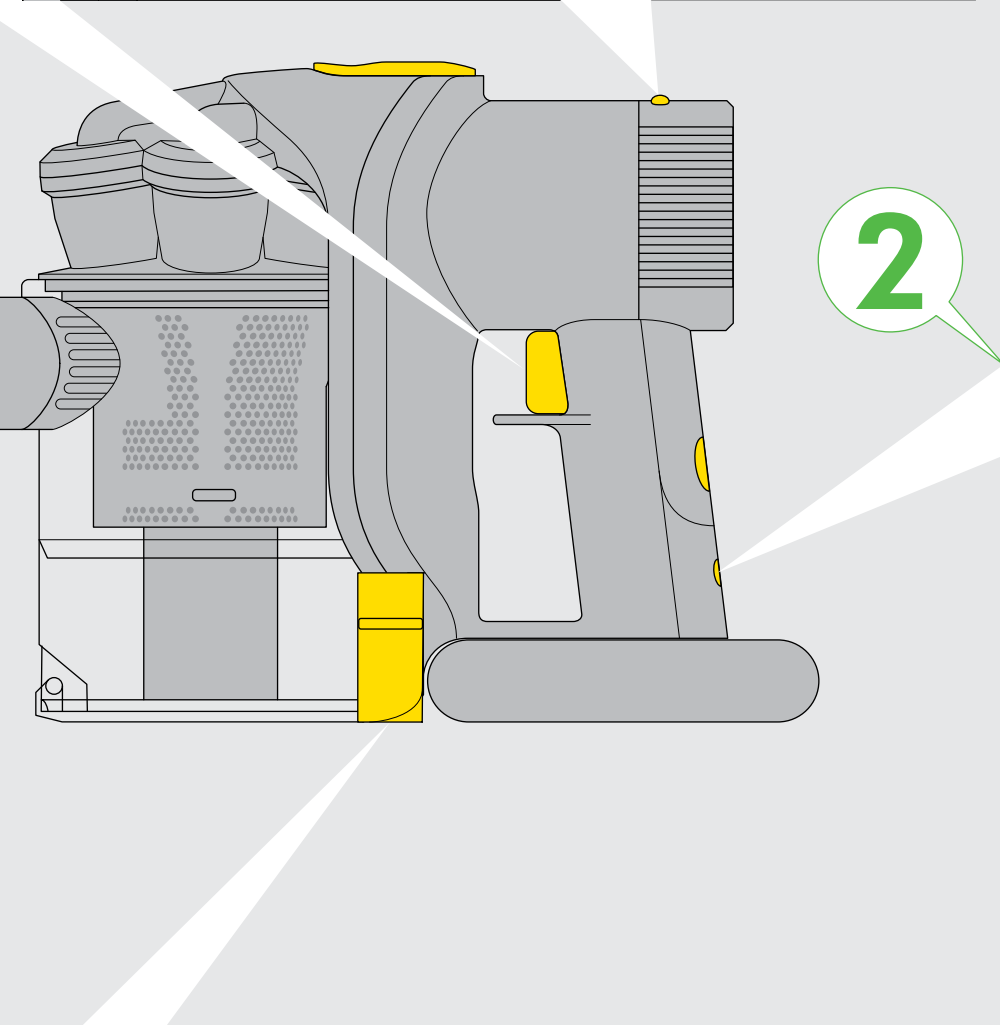
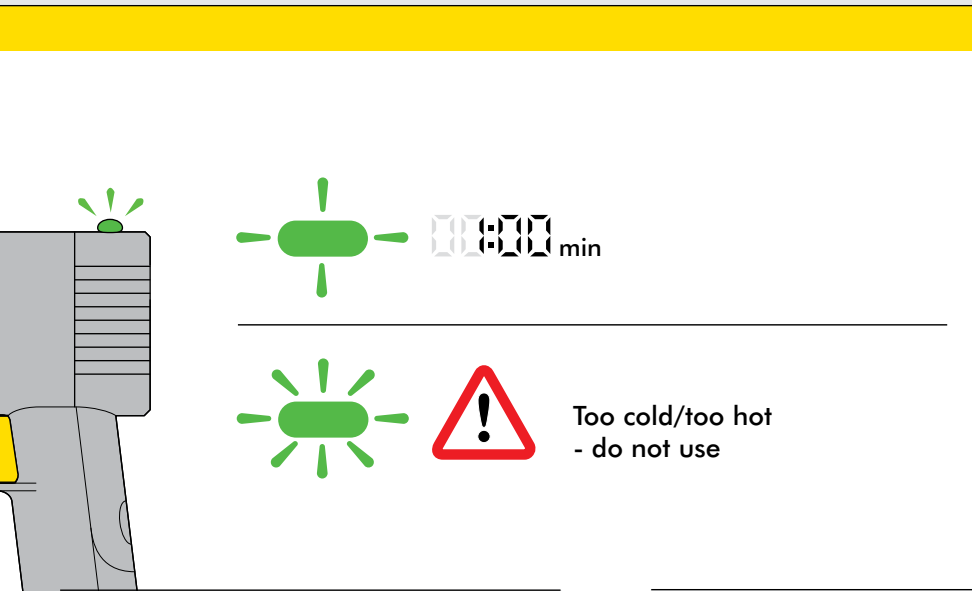


## Combination accessory tool



1

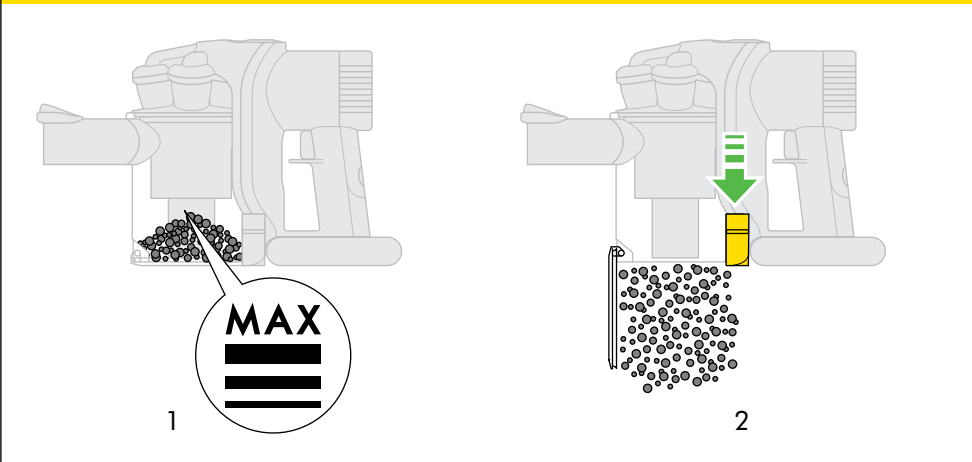
2



### Charging

- Charging
- Fully charged
- Not charging, battery fault
- Not charging - too cold/too hot

### Emptying the clear bin



## IMPORTANT!

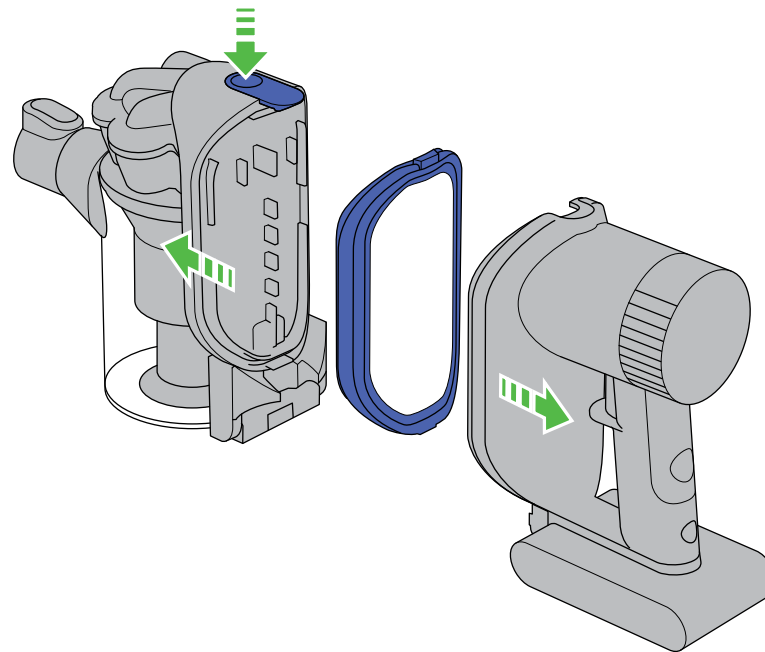
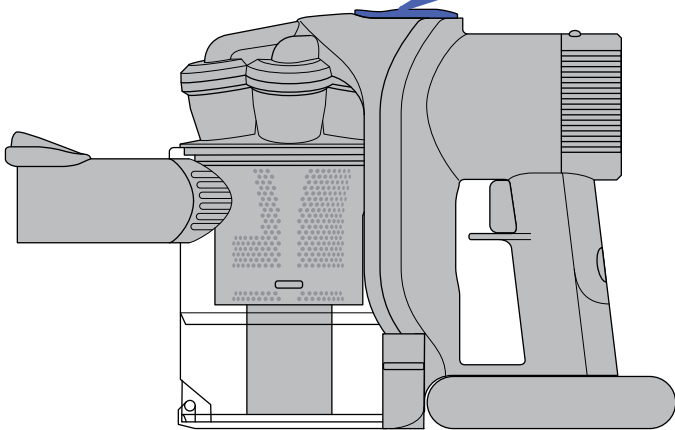
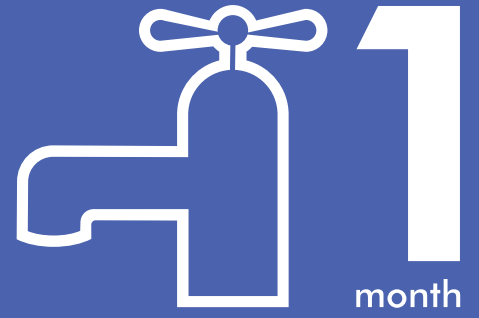
# WASH FILTER

1 month

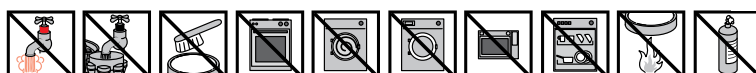
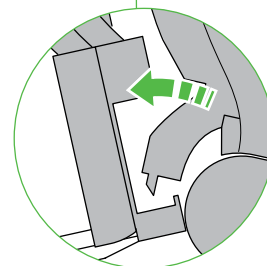
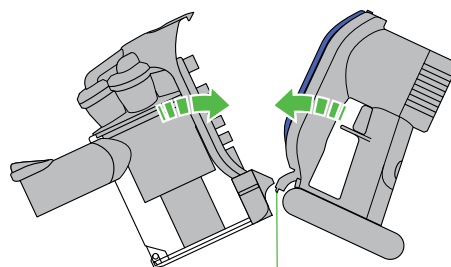
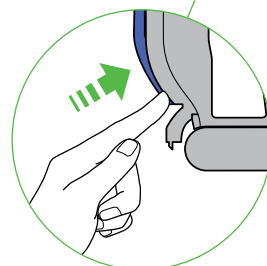
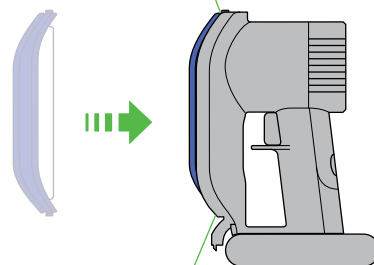
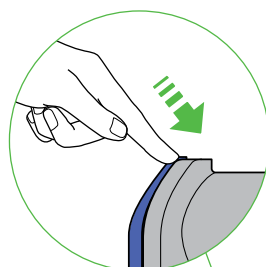
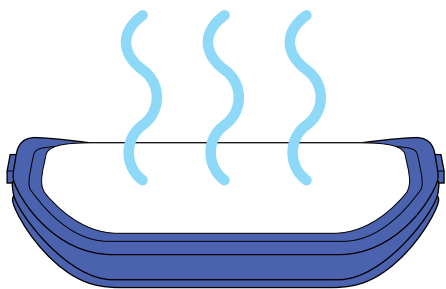
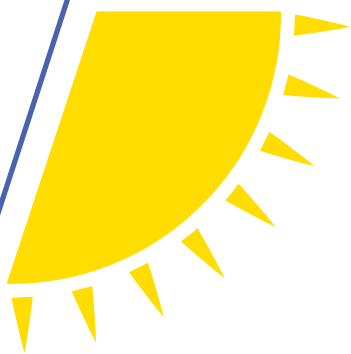
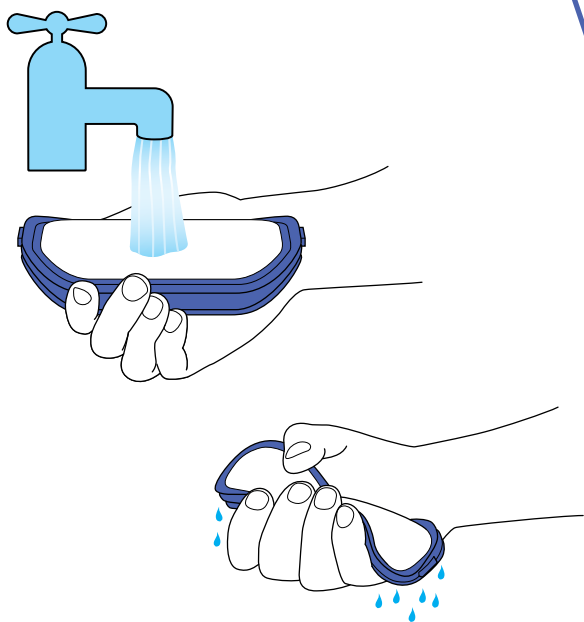
Wash filter with cold water at least every month.

# IMPORTANT!

## WASH FILTER



Wash filter with cold water at least every month.



## USING YOUR DYSON HANDHELD VACUUM CLEANER



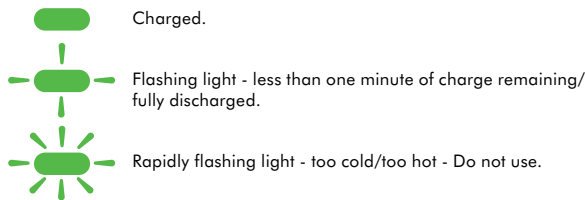
### CAUTION:

- Do not allow the Dyson handheld vacuum cleaner to be used by anyone who may not be able to operate it safely.
- Take care not to engage the silver battery release button during normal operation.
- Dirt and debris may be released from the Dyson handheld vacuum cleaner if it is turned upside down. Ensure the Dyson handheld vacuum cleaner remains upright in use.
- Do not operate the Dyson handheld vacuum cleaner while checking for blockages.
- Do not use outdoors or on wet surfaces or to vacuum water or other liquids – electric shock could occur.
- Do not lubricate any parts, or carry out any maintenance or repair work other than that shown in this Dyson Operating Manual, or advised by the Dyson Customer Care Helpline.

### PLEASE NOTE:

- This Dyson handheld vacuum cleaner is designed for domestic indoor and car use only. Do not use it whilst the car is in motion or while driving.
- Do not use the Dyson handheld vacuum cleaner to pick up sharp hard objects, small toys, pins, paper clips, etc. They may damage the Dyson handheld vacuum cleaner.
- Do not press down on the nozzle with excessive force when using the Dyson handheld vacuum as this may cause damage.
- If the motor overheats, the Dyson handheld vacuum cleaner will cut out automatically. Leave it to cool for at least an hour and check for blockages before restarting.
- Fine dirt such as flour or plaster dust should only be vacuumed in very small amounts.
- Before vacuuming highly polished floors, such as wood or lino, first check that the underside of the accessory tool and its bristles are free from foreign objects that could cause marking.
- Do not use any lubricants, cleaning agents, polishes or air fresheners on any part of the Dyson handheld vacuum cleaner or charger.
- This Dyson handheld vacuum cleaner is fitted with a thermal cut-out. If any part of the Dyson handheld vacuum cleaner becomes blocked the machine may overheat and automatically shut off. If this happens, switch 'OFF' the Dyson handheld vacuum cleaner and allow to cool before attempting to check the filter or for blockages. Clear any blockages before restarting.
- Store the Dyson handheld vacuum cleaner indoors. Do not use or store this Dyson handheld vacuum cleaner below 3°C. Ensure that the Dyson handheld vacuum cleaner is at room temperature before operating.

## TROUBLESHOOTING – DYSON HANDHELD VACUUM



## EMPTYING THE CLEAR BIN



### CAUTION:

- Switch 'OFF' the Dyson handheld vacuum cleaner and disconnect from charger before emptying the clear bin.
- Empty as soon as the dirt reaches the level of the MAX mark – do not overflow.
- To release the dirt, push the red button at the side of the clear bin as shown.
- To minimise dust/allergen contact when emptying, encase the clear bin tightly in a plastic bag and empty. Remove the clear bin carefully and seal bag tightly, dispose as normal.

### PLEASE NOTE:

- Do not use the Dyson handheld vacuum without the clear bin in place.

## CLEANING THE CLEAR BIN



### CAUTION:

- To remove the clear bin, push the red button at the side of the clear bin as you would when emptying the clear bin. Then press the red release button on the underside of the Dyson handheld vacuum cleaner as shown on page 4.
- Clean the clear bin with cold water only.
- Ensure the clear bin is completely dry before replacing.

### PLEASE NOTE:

- Do not use detergents, polishes or air fresheners to clean the clear bin.
- Do not put the clear bin in a dishwasher.
- Clean the shroud with a cloth or dry brush to remove lint and dirt.

## WASHING YOUR FILTER



### CAUTION:

- Switch 'OFF' and disconnect from charger before removing the filter.
- Wash the filter with cold water only. Ensure filter is completely dry before refitting to the Dyson handheld vacuum.

### PLEASE NOTE:

- This Dyson handheld vacuum cleaner has one filter, located as shown. It is important to check your filter and wash with cold water regularly or as required to maintain performance. The filter may require more frequent washing if vacuuming fine dust or if used mainly in 'High Constant Suction' power mode.
- After washing please leave for 12 hours to dry completely before refitting to the Dyson handheld vacuum.

- Do not use detergents to clean the filter.
- Do not put the filter in a dishwasher, washing machine, tumble dryer, oven, microwave or near an open flame.

## LOOKING FOR BLOCKAGES



### CAUTION:

- Switch 'OFF' the Dyson vacuum cleaner and disconnect from charger before looking for blockages. Failure to do so could result in personal injury.
- Beware of sharp objects when clearing blockages.
- Refit all parts of the Dyson handheld vacuum cleaner securely before using.

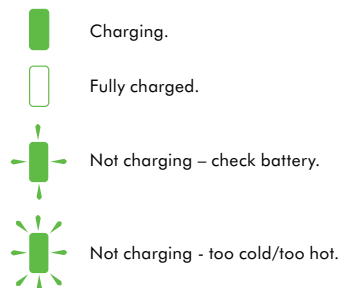
### PLEASE NOTE:

- Clearing blockages is not covered by the Dyson handheld vacuum cleaner's guarantee. If any part of the Dyson handheld vacuum cleaner becomes blocked, it may overheat and then automatically shut off.
- Unplug the Dyson handheld vacuum cleaner and leave to cool down. Clear blockage before restarting.

## CHARGING AND STORING YOUR DYSON HANDHELD VACUUM

- Your Dyson handheld vacuum cleaner will turn 'OFF' if the battery temperature is below 3°C. This is designed to protect the motor and battery of your product. Do not charge the Dyson handheld vacuum cleaner and then move it to an area with a temperature below 3°C for storage purposes.
- To help prolong battery life, avoid recharging immediately after a full discharge. Allow to cool for a few minutes.
- Avoid using the Dyson handheld vacuum cleaner with the battery flush to a surface. This will help it run cooler and prolong battery run time and life.

## TROUBLESHOOTING – CHARGER



## BATTERY SAFETY INSTRUCTIONS

The Dyson handheld vacuum cleaner must be disconnected from the mains supply when removing the battery.

The battery is a sealed unit and under normal circumstances poses no safety concerns. In the unlikely event that liquid leaks from the battery do not touch the liquid and observe the following precautions:

Skin contact – can cause irritation. Wash with soap and water.

Inhalation – can cause respiratory irritation. Expose to fresh air and seek medical advice.

Eye contact – can cause irritation. Immediately flush eyes thoroughly with water for at least 15 minutes. Seek medical attention.

Disposal – wear gloves to handle the battery and dispose of immediately following local ordinances or regulations.



### CAUTION:

The battery used in this device may present a risk of fire or chemical burn if mistreated. Do not disassemble, short contacts, heat above 60°C, or incinerate. Replace battery with a Dyson battery only, use of any other battery may present a risk of fire or explosion. Dispose of used battery promptly. Keep away from children. Do not disassemble and do not dispose of in fire.

## DISPOSAL INFORMATION

- Dyson products are made from high grade recyclable materials. Please dispose of this product responsibly and recycle where possible. The battery should be removed from the product before it is disposed of. Dispose of, or recycle the battery in accordance with local ordinances or regulations.



## GUARANTEE TERMS & CONDITIONS

### DYSON CUSTOMER CARE

THANK YOU FOR CHOOSING TO BUY A DYSON HANDHELD VACUUM CLEANER

If you have a question about your Dyson handheld vacuum cleaner, most times these can be solved over the phone by one of our Dyson Customer Care Helpline staff, or by visiting [www.dyson.co.uk/support](http://www.dyson.co.uk/support).

Have your serial number and details of where and when you bought the Dyson handheld vacuum cleaner to hand. The serial number can be found on the main body of the Dyson handheld vacuum cleaner behind the filter.

If your Dyson handheld vacuum cleaner needs a service, call the Dyson Customer Care Helpline so we can discuss the available options. If your Dyson handheld vacuum cleaner is under guarantee, and the repair is covered, it will be repaired at no cost.

### PLEASE REGISTER AS A DYSON HANDHELD VACUUM CLEANER OWNER

To help us ensure you receive prompt and efficient service, please register as a Dyson handheld vacuum cleaner owner. There are three ways to do this:

- Online at [www.dyson.com/register](http://www.dyson.com/register)
- By calling the Dyson Customer Care Helpline on UK 0800 298 0298 or ROI 01 475 7109.
- By completing and returning the enclosed form to us by mail. This will confirm ownership of your Dyson handheld vacuum cleaner in the event of an insurance loss, and enable us to contact you if necessary

### LIMITED 2 YEAR GUARANTEE

Terms and conditions of the Dyson 2 year limited guarantee.

### WHAT IS COVERED

- The repair or replacement of your Dyson handheld vacuum cleaner (at Dyson's discretion) if your Dyson vacuum cleaner is found to be defective due to faulty materials, workmanship or function within 2 years of purchase or delivery (if any part is no longer available or out of manufacture Dyson will replace it with a functional replacement part).
- Use of the Dyson handheld vacuum cleaner in the country of purchase.

### WHAT IS NOT COVERED

Dyson does not guarantee the repair or replacement of a product as a result of:

- Normal wear and tear (e.g. fuse, brush bar, etc).
- Reduction in battery discharge time due to battery age or use.
- Accidental damage, faults caused by negligent use or care, misuse, neglect, careless operation or handling of the Dyson handheld vacuum cleaner which is not in accordance with the Dyson Operating Manual.
- Blockages – please refer to the Dyson Operating Manual for details of how to unblock your Dyson vacuum cleaner.
- Use of the Dyson handheld vacuum cleaner for anything other than normal domestic household purposes.
- Use of parts not assembled or installed in accordance with the instructions of Dyson.
- Use of parts and accessories which are not Dyson Genuine Components.
- Faulty installation (except where installed by Dyson).
- Repairs or alterations carried out by parties other than Dyson or its authorised agents.

If you are in any doubt as to what is covered by your guarantee, please call the Dyson Customer Care Helpline on UK 0800 298 0298 or ROI 01 475 7109 or visit [www.dyson.co.uk/support](http://www.dyson.co.uk/support).

### SUMMARY OF COVER

- The guarantee becomes effective at the date of purchase (or the date of delivery if this is later).
- You must provide proof of (both the original and any subsequent) delivery/purchase before any work can be carried out on your Dyson handheld vacuum cleaner. Without this proof, any work carried out will be chargeable. Please keep your receipt or delivery note.
- All work will be carried out by Dyson or its authorised agents.
- Any parts which are replaced will become the property of Dyson.
- The repair or replacement of your Dyson handheld vacuum cleaner under guarantee will not extend the period of guarantee.
- The guarantee provides benefits which are additional to and do not affect your statutory rights as a consumer.

### ABOUT YOUR PRIVACY

Your information will be held by Dyson Limited and its agents for promotional, marketing and servicing purposes.

If your personal details change, if you change your mind about any of your marketing preferences or if you have any queries about how we use your information, please let us know by contacting Dyson Limited, Tetbury Hill, Malmesbury, Wiltshire SN16 0RP England, or by calling the Dyson Customer Care Helpline on UK: 0800 298 0298 or ROI: 01 475 7109. Or you can email us at [askdyson@dyson.co.uk](mailto:askdyson@dyson.co.uk)

For more information on how we protect your privacy, please see our privacy policy on [www.dyson.co.uk](http://www.dyson.co.uk)

### DISPOSAL INFORMATION

Dyson products are made from high grade recyclable materials. Please dispose of this product responsibly and recycle where possible.

The battery should be removed from the product before it is disposed of.

Dispose of or recycle the battery in accordance with local ordinances or regulations.

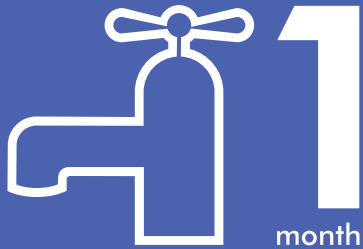
### PRODUCT INFORMATION

Net weight: 1.23kg

Please note: Small details may vary from those shown.

# IMPORTANT!

## WASH FILTER



Wash filter with cold water at least every month.



### Dyson Customer Care

If you have a question about your Dyson handheld vacuum, call the Dyson Customer Care Helpline with your serial number and details of where and when you bought the Dyson handheld vacuum, or contact us via the Dyson website. The serial number can be found on the main body of the Dyson handheld vacuum behind the filter.

**UK Dyson Customer Care**  
askdyson@dyson.co.uk  
0800 298 0298

Dyson Ltd, Tetbury Hill, Malmesbury, Wiltshire SN16 0RP.

**ROI Dyson Customer Care**  
askdyson@dyson.co.uk  
01 475 7109

The Connect Agency Ltd, Unit 2, Baldonnell Business Park,  
Naas Road, Co. Dublin.



